

# BLOSSOM<sup>®</sup> flaxmill

## INSTRUCTION BOOKLET

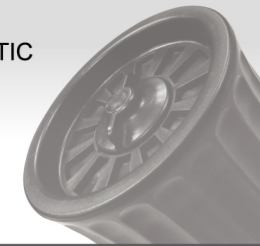
Spice Ratchet Mills LLC introduces an intelligent flaxmill with an automatic opening/closing base for flax and sesame seeds.

When grinding, the base twists open automatically. When grinding stops, the base shuts automatically to keep contents from spilling.

The flaxmill can be completely disassembled for more thorough cleaning.

Cutting-edge ceramic technology guarantees a near 100% smash rate.

AUTOMATIC  
BASE

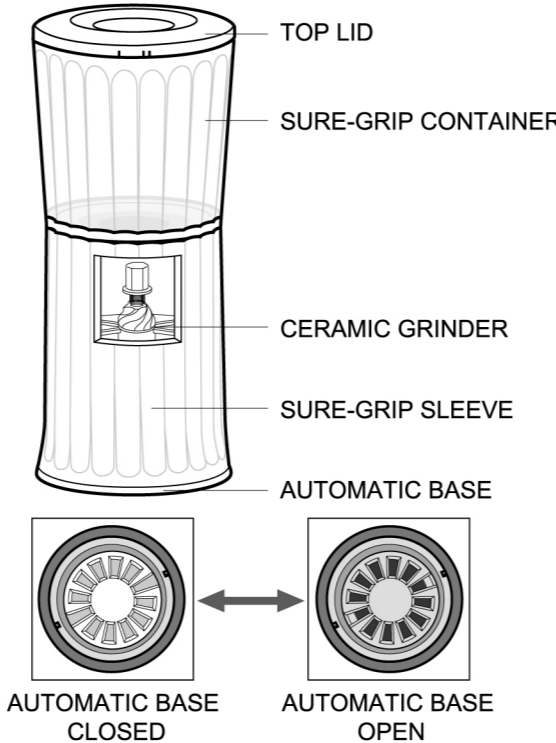


READ INSTRUCTIONS THOROUGHLY WITH PROPER PRACTICE BEFORE USE ESPECIALLY ABOUT THE WAY TO TAKE THE MILL APART AND TO PUT BACK TOGETHER. SAVE THIS INSTRUCTIONS FOR FUTURE REFERENCE.

### IMPORTANT TIPS & PRECAUTIONS

1. THE AUTOMATIC BASE FUNCTIONS ONLY WHEN THE MILL IS FILLED WITH FLAXSEED OR SESAME.
2. THE CERAMIC MECHANISM, THOUGH DURABLE, IS QUITE BRITTLE. USE EXTRA CAUTION WHEN HANDLING.
3. NOT INTENDED FOR USE WITH SPICES OTHER THAN FLAXSEED OR SESAME.
4. SEED RESIDUE IS INCLINED TO SPOIL. PERIODIC CLEANING IS SUGGESTED.
5. BE CAREFUL NOT TO LOSE ANY PARTS, ESPECIALLY THE SMALLER ONES, DURING THE CLEANING PROCESS.

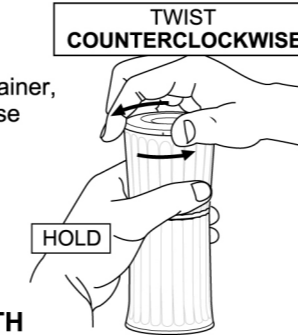
### DIAGRAM



### TO FILL

#### 1 REMOVE THE TOP LID

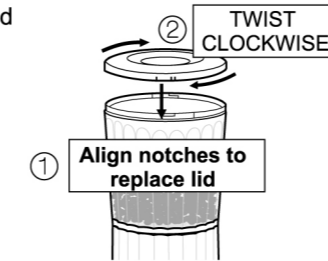
With one hand holding the container, twist the top lid counter clockwise and then pull it off to open.



#### 2 FILL THE CONTAINER WITH FLAXSEED OR SESAME.

#### 3 REPLACE THE TOP LID

Align the single notches on both the lid and container and twist clockwise, towards the double notch, until the lid is locked in place.



### START GRINDING

#### 4 To start grinding, hold the container firmly upright with one hand and begin twisting the sure-grip sleeve counterclockwise with your other hand.



#### NOTE FOR GRINDING SESAME

Smashed sesame becomes greasy and sticky. Upright operation helps smashed sesame seeds pass through the automatic base smoothly and evenly.

If operated at an angle, clogging is more likely to occur and interfere with dispensing. It is advised to use the grinder at an angle perpendicular to your dish.



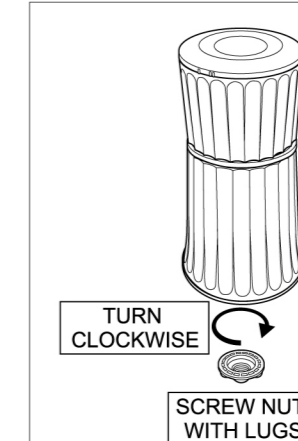
### MAINTENANCE

#### 5 HOW TO DISASSEMBLE

It may require some practices to get familiar with the way how to take all parts apart.

##### STEP 1

Turn the screw nut with lugs, located at the bottom of the mill, clockwise until it comes off.

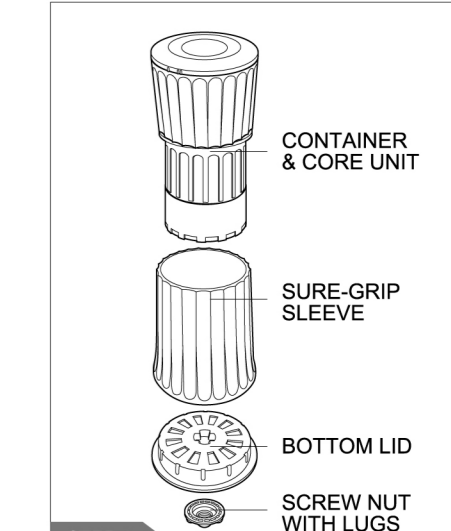


##### STEP 1

### MAINTENANCE

##### STEP 2

Separate the container and core unit from the sure-grip sleeve. This will release the bottom lid.

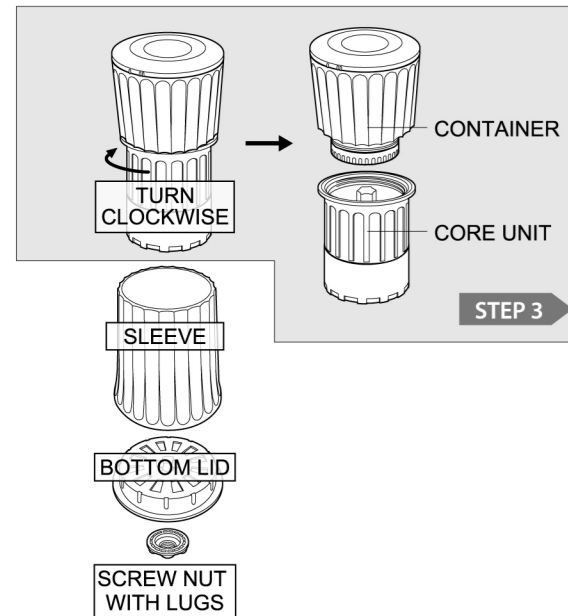


##### STEP 2

## MAINTENANCE

### STEP 3

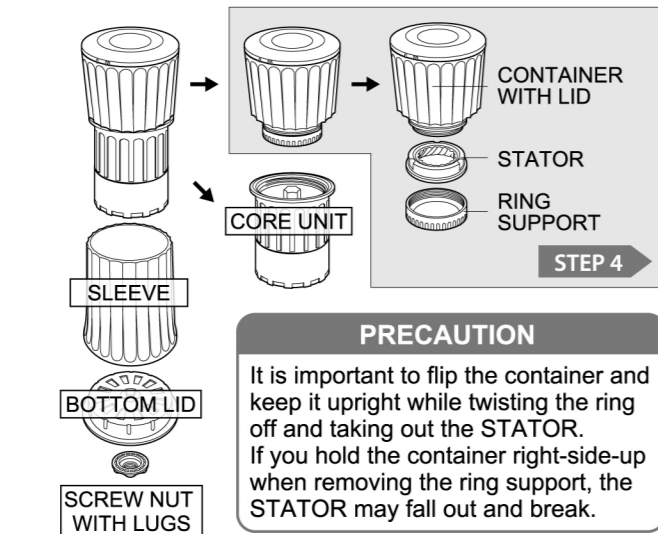
To detach the core unit with the grinding mechanism from the container, turn it clockwise until it comes off.



## MAINTENANCE

### STEP 4

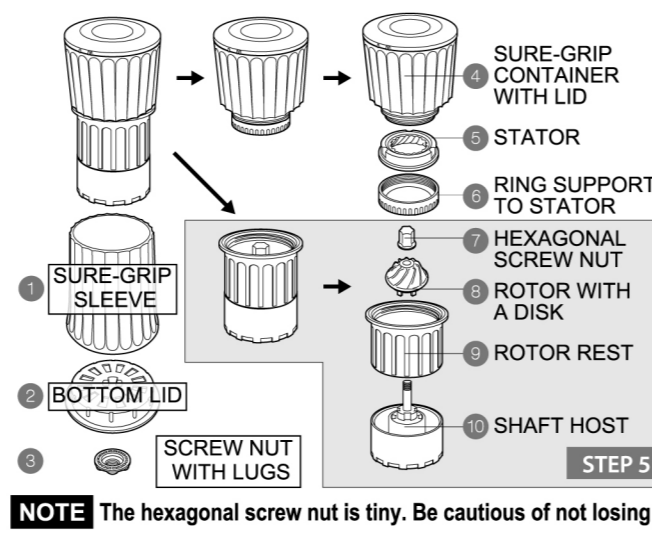
The ceramic grinder consists of a ROTOR part and a STATOR part. The STATOR is supported by a threaded ring. To remove the STATOR, invert the container and twist the ring counterclockwise. The stator can now be removed.



## MAINTENANCE

### STEP 5

The core unit can be taken apart further for access to the ROTOR and other parts. Turn the white hexagonal screw nut counterclockwise between your thumb and forefinger until it is free from the threaded shaft. Now remove the ROTOR, leaving the black ROTOR rest and shaft host together.



## MAINTENANCE

### 10 PARTS ARE NOW EASILY ACCESSIBLE FOR CLEANING

### 6 CLEANING

Most parts can be safely cleaned in a dishwasher-safe basket on the top rack of your dishwasher. However, the screw nut with lugs and the hexagonal screw nut are NOT recommended for dishwasher cleaning.

The ceramic STATOR and ROTOR can be washed under tap water with a soft brush (such as a toothbrush) for additional cleaning. Remember, ceramic is fragile so handle these parts with extra care while cleaning.

Both screw nuts can be rinsed easily under tap water. This is considered the best way of cleaning and keeping track of them.



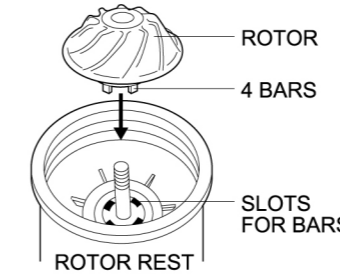
## MAINTENANCE

### 7 HOW TO REASSEMBLE

PERFORM INSTRUCTIONS FROM STEP 5 TO STEP 1 REVERSE, THOUGH SOME EXTRA ATTENTION MAY BE REQUIRED – SEE THE FOLLOWING.

### REVERSE STEP 5

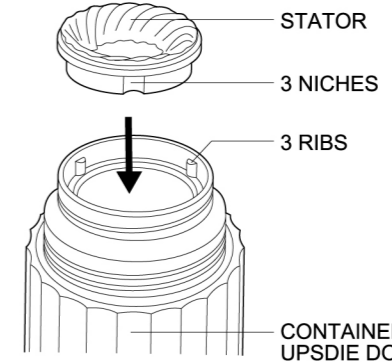
The ROTOR is seated on a plastic disk with 4 downwards bars. Sleeve the ROTOR onto the shaft host first, making sure the 4 bars are inserted into the 4 slots (turning the rotor as you lower it makes it easier to ensure proper placement). Replace the hexagonal screw nut and turn it clockwise until it stops in place.



## MAINTENANCE

### REVERSE STEP 4

The STATOR is built with 3 niches around it and there are 3 ribs in the bottom opening of the container. To prevent breakage, you should invert the container when replacing the STATOR. Replace the ring support and turn it clockwise until tight.



## MAINTENANCE

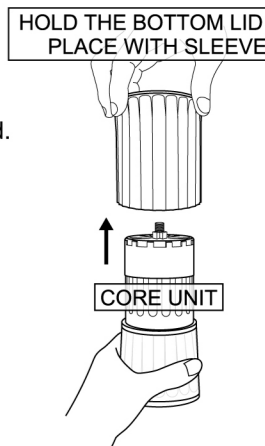
### REVERSE STEP 3

Place the container back onto the core unit and turn it clockwise until a tight connection with the core unit is established.

### REVERSE STEP 2 & STEP 1

Invert the unit, then replace the sleeve. Next, replace the bottom lid. Turning the bottom lid can help ensure the lid fits properly.

Keeping the mill upside-down, screw the nut with lugs clockwise until tight.



**NOW, THE MILL IS COMPLETELY REASSEMBLED AND READY FOR THE NEXT USE.**